



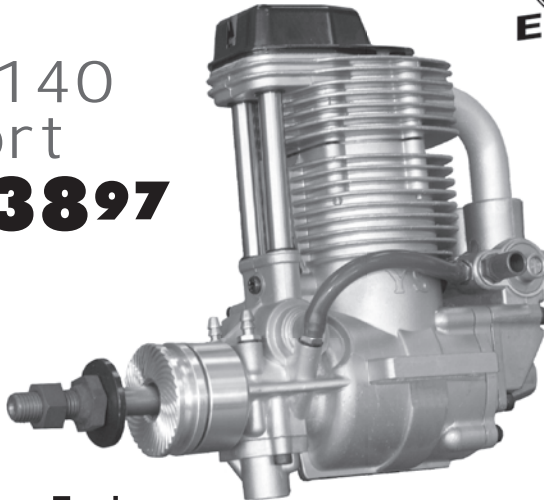
YS You'll find the largest inventory and best prices on YS 4-stroke engines right here at Central Hobbies. We also stock the YS parts you need to keep these engines running at their peak. Plus the mufflers, headers, filters, props, spinners, & mounts for your YS engine.

Your YS Engine Headquarters!

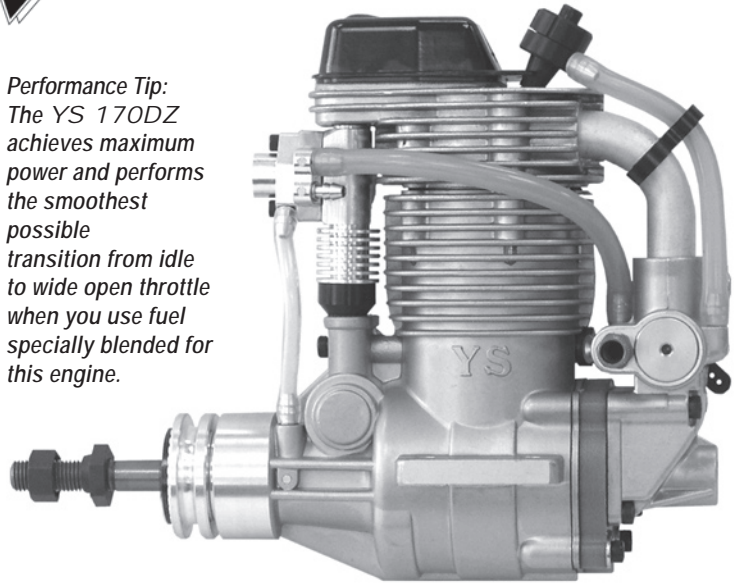


YS 170DZ
\$689⁸³

YS 140 Sport
\$438⁹⁷



Performance Tip:
The YS 170DZ achieves maximum power and performs the smoothest possible transition from idle to wide open throttle when you use fuel specially blended for this engine.



YS Pattern Engines

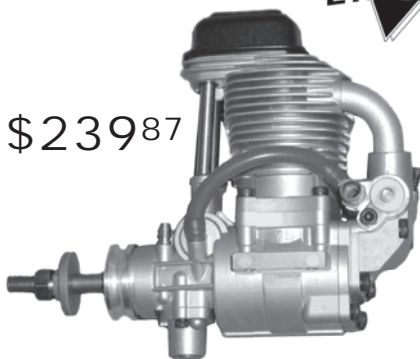
These engines all tolerate higher nitro fuels well, but will put out more than the other 4-strokes even with low nitro. We recommend at least 20% nitro for best idle and transition. ALL of these engines like the "YS" glow plug!

| Engine | Displacement | Bore | Stroke | Weight | Practical RPM |
|--------------|--------------|---------|---------|--------|----------------|
| YS FZ63S | 10.3 cc | 26.2 mm | 19.0 mm | 460 g | 2,000 - 15,000 |
| YS FZ110 | 18 cc | 30.4 mm | 24.8 mm | 728 g | 2,000 - 13,700 |
| YS 140 Sport | 23 cc | 32.0 mm | 29.0 mm | 890 g | 2,000 - 9,000 |
| YS 170DZ | 27.95 cc | 34.0 mm | 30.8 mm | 955 g | 2,000 - 9,000 |

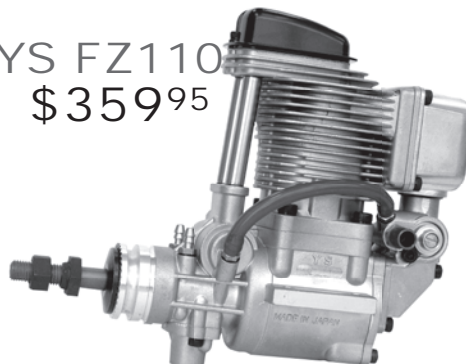
YS FZ63s



\$239⁸⁷



YS FZ110
\$359⁹⁵



Superior Performance

Begins with Genuine YS Glow Plugs



No better glow plug anywhere for any price.



Regular Price \$10.95

#YSE4GP **\$5.99**
Our Price